

ОТВОД НЕРЖАВЕЮЩИЙ

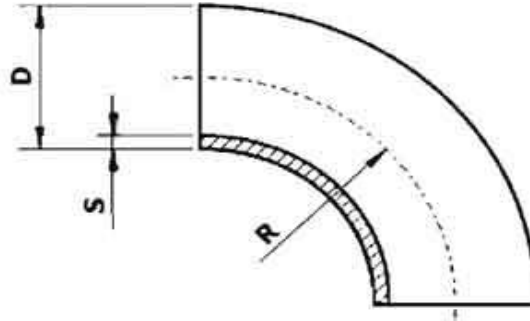


ТАБЛИЦА С РАЗМЕРАМИ

D, мм	R, мм	S, мм
12,0	18,0	1,5-2,0
13,7	20,0	1,5
14,0	21,0	1,5-2,0
15,0	22,5	1,5-2,0
16,0	24,0	1,5-2,0
17,2	28,5	1,5-2,5
18,0	27,0	1,5-2,0
20,0	30,0	1,5-2,5
21,3	38,0	1,5-3,0
22,0	33,0	1,5-2,0
23,0	34,5	1,5-2,0
25,0	37,5	1,5-3,0
26,9	28,5	1,5-3,0
28,0	42,0	1,5-3,0
30,0	45,0	1,5-3,0
32,0	48,0	1,5-3,0
33,0	49,5	1,5-3,0
33,7	38,0	1,5-4,0
34,0	51,0	1,5-3,0
35,0	52,5	1,5-3,0
38,0	57,0	1,2-3,0
40,0	60,0	1,5-4,0
42,4	47,6	1,5-4,0
43,0	64,5	1,5-3,0
44,5	51,0	2,0-3,0
48,3	57,1	1,5-4,0
50,8	63,5	1,2-3,0
52,0	78,0	1,5-3,0
53,0	75,0	1,5-3,0
57,0	72,0	1,5-4,0
60,3	76,1	1,5-4,0
63,5	82,5	1,5-4,0
70,0	92,0	2,0-4,0
73,0	95,0	1,5-3,0
76,1	96,0	1,5-4,0

D, мм	R, мм	S, мм
84,0	126,5	2,0-3,0
85,0	105,0	2,0-3,0
88,9	114,3	2,0-4,0
101,6	133,5	2,0-6,0
104,0	150,0	2,0-6,0
108,0	142,5	2,0-4,0
114,3	152,5	2,0-6,0
129,0	188,0	2,0-6,0
133,0	181,0	2,0-6,0
139,7	191,0	2,0-6,0
154,0	225,0	2,0-6,0
159,0	216,0	2,0-6,0
168,3	229,0	2,0-6,0
204,0	300,0	2,0-6,0
206,0	300,0	3,0-6,0
219,1	305,0	2,0-6,0
254,0	375,0	2,0-6,0
256,0	375,0	3,0-6,0
273,0	381,0	2,0-6,0
304,0	450,0	2,0-6,0
306,0	450,0	3,0-6,0
323,9	457,0	2,0-6,0
354,0	533,0	2,0-6,0
355,6	534,0	3,0-6,0
356,0	533,0	3,0-6,0
406,4	610,0	3,0-6,0
457,2	686,0	3,0-6,0
508,0	762,0	3,0-6,0
609,6	914,0	3,0-6,0
711,2	1 070,0	3,0-6,0
812,8	1 220,0	5,0-6,0
914,4	1 372,0	6,0
1 016,0	1 525,0	6,0
1 118,0	1 676,0	6,0
1 219,0	1 829,0	6,0